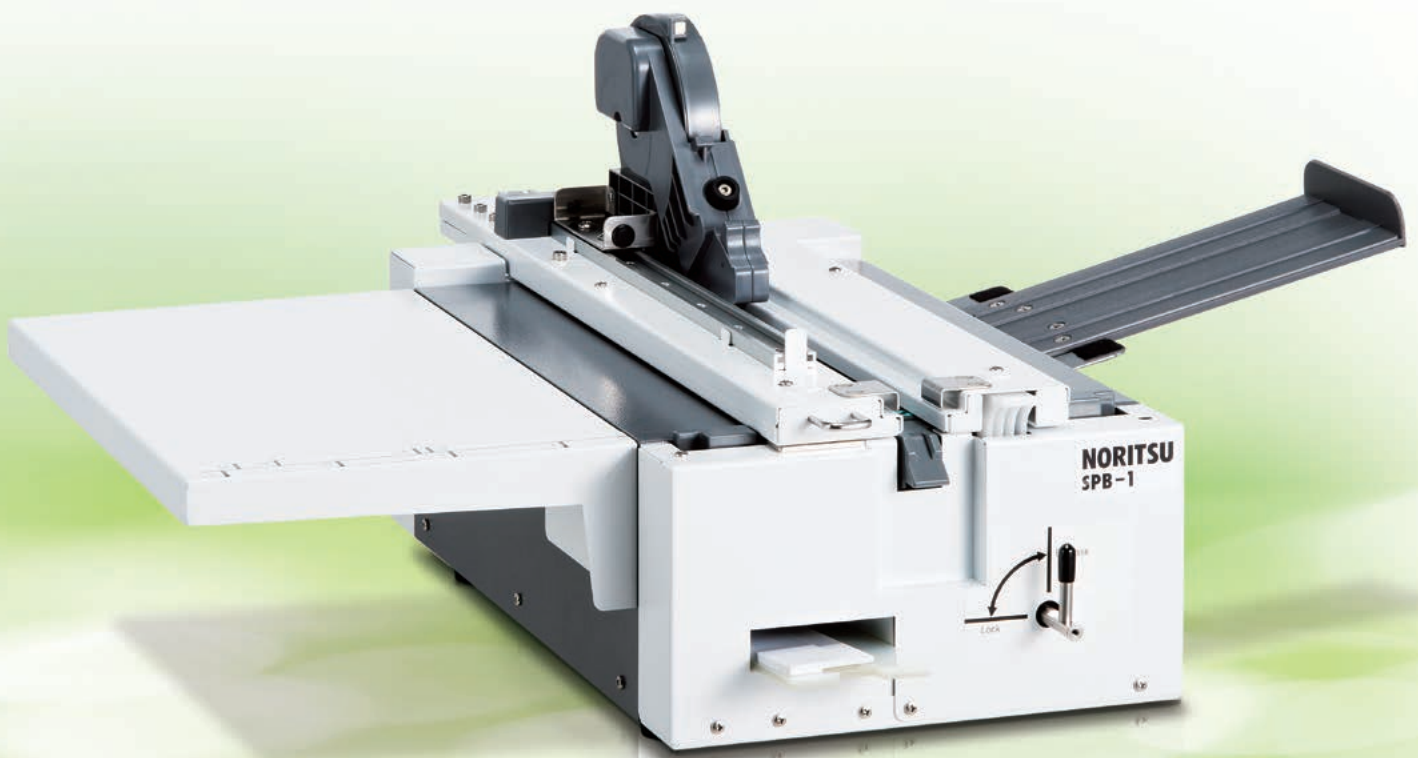


NORITSU
PRECISION

SPB-1

Lay-Flat Photobook Binding System





EZ operation

Small design

No electric power

EZ operation for creating a lay-flat type photobook

Point 1

Lay-flat photobook binding

The central part of the pages are not like standard photobook binding systems. You can quickly create a 180-degree lay-flat photobook. Even without touching the pages, the right and left pages lay flat when opened. Lay-flat pages are more pleasing for viewing.



Standard photobook binding



Lay-flat photobook binding

Point 2

EZ operation lay-flat style photobook

Set the right and left prints in the binding unit which are then secured with the connecting tape. Repeat this step, easily bind the lay-flat photobook. A 20-page photobook 203 x 203 mm (8"x8") size is created in about 10 minutes.



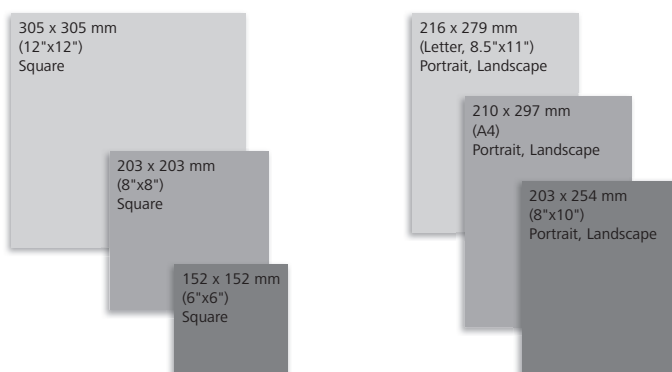
Slide the tape holder across the binding area to secure the connecting tape to the page.

Point 3

A wide variety of photobooks types and sizes

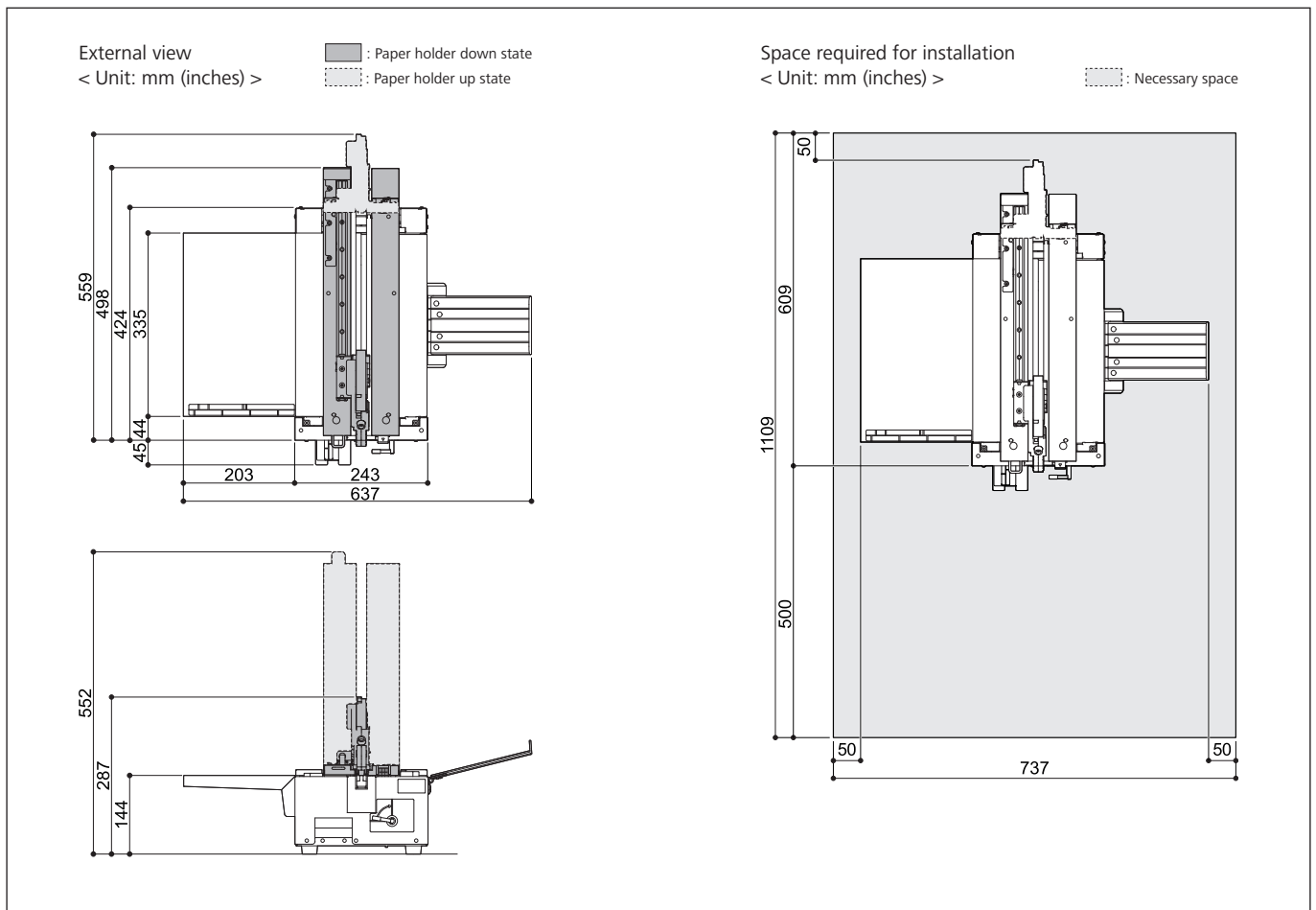
Pages can be as small as 152 mm (6") and as large as 305 mm (12"). Photobooks can be from page 10 to around 80 pages.*

*Maximum limit varies by paper thickness used to make the print.



Common photobook sizes that can be created

Specifications	
Type	Lay-flat tape style binding photobook system
Dimensions	See "External view"
Weight	11 kg
Binding print size	Min: 152 mm (6") Max: 305 mm (12")
Binding print page	Min: 10 pages Max: around 80 pages <small>*Maximum limit varies by paper thickness used to make the print.</small>
Common photobook sizes	152 x 152 mm (6"x6") [Square] 203 x 203 mm (8"x8") [Square] 203 x 254 mm (8"x10") [Landscape] 254 x 203 mm (10"x8") [Portrait] 210 x 297 mm (A4) [Landscape] 297 x 210 mm (A4) [Portrait] 216 x 279 mm (Letter 8.5"x11") [Landscape] 279 x 216 mm (Letter 11"x8.5") [Portrait] 305 x 305 mm (12"x12") [Square]
Estimated binding time required	About 10 min per photobook <small>*203 x 203 mm (8"x8") size, 20 pages</small>



NK Works Co., Ltd.

The specifications, information, and appearance of the machine herein are subject to change without notice.



Our products have been manufactured under an ISO 9001-certified quality assurance system.

579-1 UMEHARA, WAKAYAMA-SHI, 640-8550, JAPAN
PHONE: (81)73-454-0345 FACSIMILE: (81)73-454-0301
<http://www.noritsu-precision.com>

QSS & AccuSmart™ are trademarks of Noritsu Precision Co., Ltd.

All other product and company names herein may be trademarks of their respective owners.



Th. Mümken Sales GmbH
In der Beckuhl 28
46569 Hünxe
Deutschland

Tel. +49 (0)2858 58243-0
Fax +49 (0)2858 58243-19

info@ditms.de
www.noritsu.de